



Advantages of TOSIBOX®



Simple

Build and manage secure OT infrastructure in minutes



Secure

Tested & audited security



Modular

Unlimited expandability and flexibility



Timeless

Deals with legacy and future systems



Unique

Globally patented point-to-point connection

TOSIBOX® 610

Reliable and powerful Plug & Go™ connectivity device

TOSIBOX® 610 is a perfect choice for professional applications when wireless networking is not required. Leading edge Cyber Security technology from TOSIBOX® enable diverse application scenarios. The durable aluminium alloy shell and small form factor is ideal for rugged mounting conditions.

Tosibox 600 series contains devices for all connectivity scenarios and meets the most demanding operating conditions. Bringing connectivity to those hard to reach locations has never been this easy. The node is compatible with all existing TOSIBOX® products.

Main features

Performance

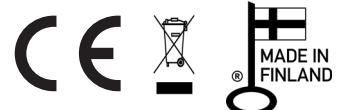
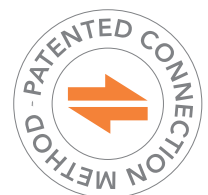
- High VPN throughput, end-to-end encryption between TOSIBOX® devices, users and servers

Reliability

- Four Gigabit Ethernet ports deliver speeds up to 1000 Mbps
- Provided DIN rail clip ensures firm installation on any industrial application
- TosiOnline™ automatic reconnection of dropped connections

Industrial design

- Durable aluminium alloy shell, DIN rail attachment
- Extended IP30 rating
- Operating temperature -40 °C ... +75 °C / -40 °F ... +167 °F



TOSIBOX[®] 610 Technical Data

Product codes: TBL610EU, TBL610UK, TBL610AU, TBL610US

Ports

- 1 x RJ-45 WAN connection, 10/100/1000 Mb/s, auto-negotiation (MDI / MDI-X)
- 3 x RJ-45 LAN connection, 10/100/1000 Mb/s, auto-negotiation (MDI / MDI-X)
- 1 x USB 2.0, type A

Connections

- 4 pin industrial DC power socket
- 9-50V DC, reverse polarity protection, voltage surge/transient protection
- DIN rail mounting slot in the back
- Maximum power consumption 6W

Connection features

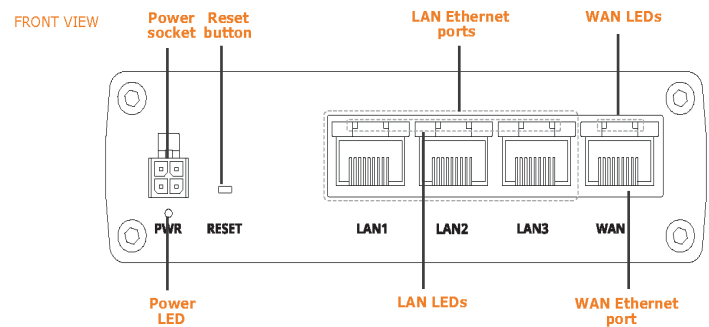
- Independent of operating systems
- Works in all Internet connections (operator independent)
- Firewall friendly
- Works with dynamic, static and private IP addresses
- Built-in firewall, NAT
- Up to 50 concurrent VPN connections
- VPN throughput up to 70 Mbit/s
- TosiOnline™ Automatic network recovery that recovers from most mobile operator and modem problems

Included accessories

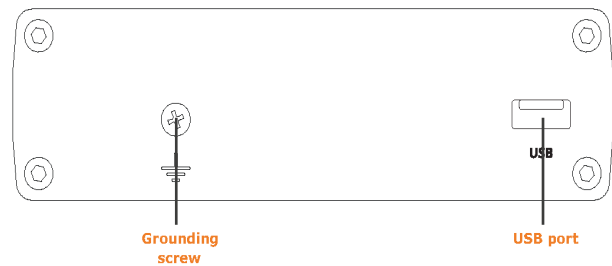
- Ethernet cable (1.5 m)
- DIN rail mount
- Power supply unit
 - AC adapter - Input 100 – 240 V AC, frequency 50/60Hz 0,6A, Output 12.0 V, 1.5 A, max 18 W

Physical properties

- 115 mm x 32.2 mm x 95.2 mm / 4.52" x 1.26" x 3.74" (W x H x L)
- Protection class IP30
- Weight 345 g / 0.76 lbs (net weight article)
- Operating temperature -40 °C ... +75 °C / -40 °F ... +167 °F



BACK VIEW



Tosibox Oy

sales@tosibox.com

support@tosibox.com

Sales, international, tel. +358 44 70 90 200

www.tosibox.com



TOSIBOX[®]
Purpose built OT